

# MSite Face



## Make your site secure

Automatically blocks site access if operatives don't have the correct permissions.



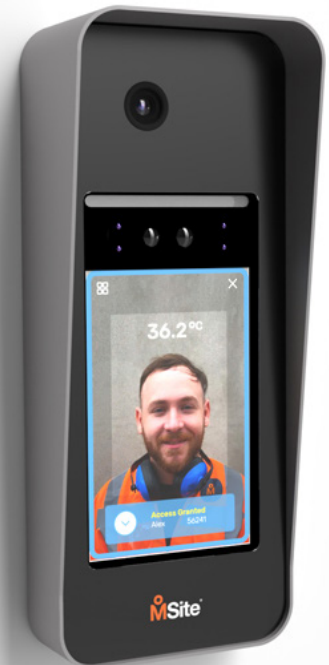
## Enrol your team your way

Easily enroll new workers straight from MSite, the CITB database or via a webcam.



## GDPR Compliance

Workers data is protected and encrypted, ensuring full GDPR compliance.



[Learn More >](#)

The MSite Face Reader is a highly accurate facial recognition solution that integrates with our access control equipment such as Pods and turnstiles. Face Reader helps verify worker identity and allows workers access through Pods and turnstiles to sites, based on their user permissions.



## High accuracy camera

Using infrared technology, the cameras built-in sensors can recognise faces accurately and even work in poor lighting conditions.



## Contactless

As Face Reader is a contactless solution, it reduces the spread of COVID-19. It also has an optional feature to automatically restrict site access if worker skin temperature is too high.



## Anti-spoofing

Anti-spoofing solution, prevents spoofing using photography or 3D printed masks.



## Robust design

Featuring a 7" LCD display screen with an IP65 rating, the device is dustproof, waterproof and easy to maintain.



+44 (0) 333 456 2001

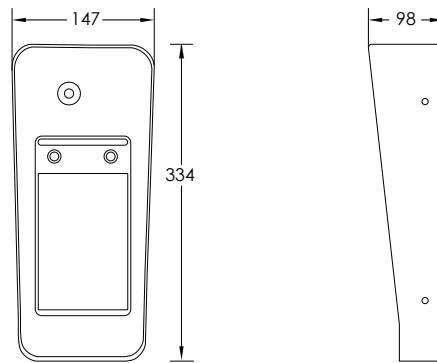
[Book a Demo](#)



[MSite.com](#)

# MSite Face

## Technical Specification



Front

Side

### Additional Information

Please ensure Temperature Screening module is installed in an indoor and windless environment.

<b>Recognition Distance</b>	0.5m ~1.3
<b>Recognition Height</b>	140cm ~ 190cm
<b>Operating temperature</b>	-20°C ~ 50°C
<b>Operating Humidity</b>	0% ~ 80%, non-condensing
<b>LCD Resolution</b>	800 x 1280 pixels
<b>Matching Speed</b>	Less than 0.5 sec
<b>Max. User (1: N)</b>	50,000
<b>Interface</b>	TCP/IP
<b>IP Rating</b>	IP65
<b>Anti-spoofing</b>	✓

# MSite Temperature Screening

## Technical Specification

<b>Temperature Accuracy</b>	$\leq \pm 0.5^{\circ}\text{C}$ (0.9°F)*/ $\pm 0.3^{\circ}\text{C}$ (0.5°F)** *For $\pm 0.5^{\circ}\text{C}$ accuracy, use the device: <ul style="list-style-type: none"><li>• In recommended ambient temperature (10°C to 35°C or 50°F to 95°F)</li><li>• 90 minutes after turning on for self-calibration</li></ul> **According to KOLAS (Korea Laboratory Accreditation Scheme) calibration certificate.
<b>Max Resolution</b>	120 x 160 (19,200 pixel)
<b>Frame Rate</b>	25fps
<b>NETD</b>	$\leq 50$ mK (@25°C, F# = 1.0)
<b>Field of View</b>	37.2° x 50° (H x V)
<b>Temperature Range</b>	30°C to 45°C
<b>Temperature Distance</b>	50 cm-130 cm
<b>Interface</b>	USB
<b>Operating Temperature</b>	0°C to 50°C

## Limitations

### Disclaimer

MSite products cannot be used to diagnose any medical condition. MSite Thermal cameras can only identify individuals with skin temperature higher than a preset figure but should not be solely or primarily relied upon to diagnose or exclude a diagnosis of COVID-19, or any other illness.

The accuracy of temperature readings can be impacted by various environmental conditions such as temperature, exposure to sunlight and exposure to windy conditions. The unit should be installed internally in a wind free environment.

Please ensure Temperature Screening module is installed in an indoor and windless environment.